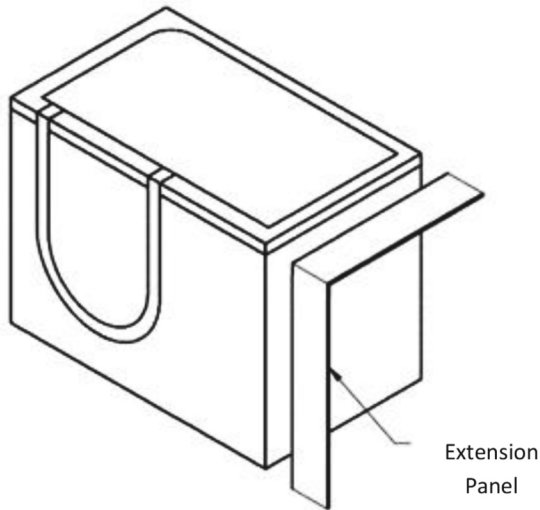


Tub Filler



GENERAL SPECIFICATIONS

Dimensions 37 $\frac{1}{2}$ " x 29 $\frac{1}{2}$ " x 10"
Weight 7 lbs.



Features:

- Seamless One-Piece Extension Panel
- Left and/or Right Side Installation
- Color: White or Biscuit
- Textured or Smooth Acrylic
- Includes all hardware needed for assembly: Screws, nuts, bolts and gasket.

In an effort to continually improve our product, specifications and configurations are subject to change without notice.

Before ordering or installing, consider future access to essential equipment.

