

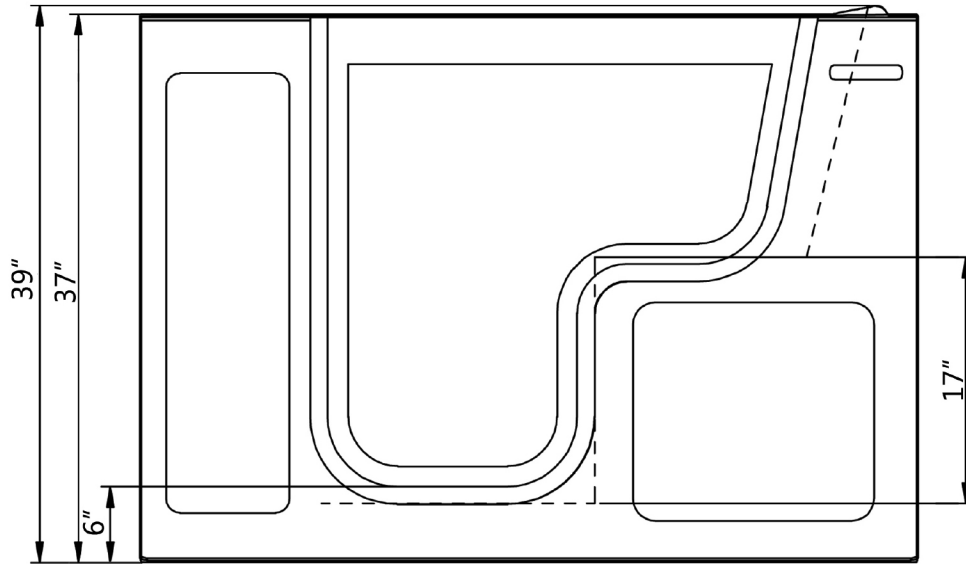
# Walk In Tub

## OH 5335 Easy Access Out Swing Door

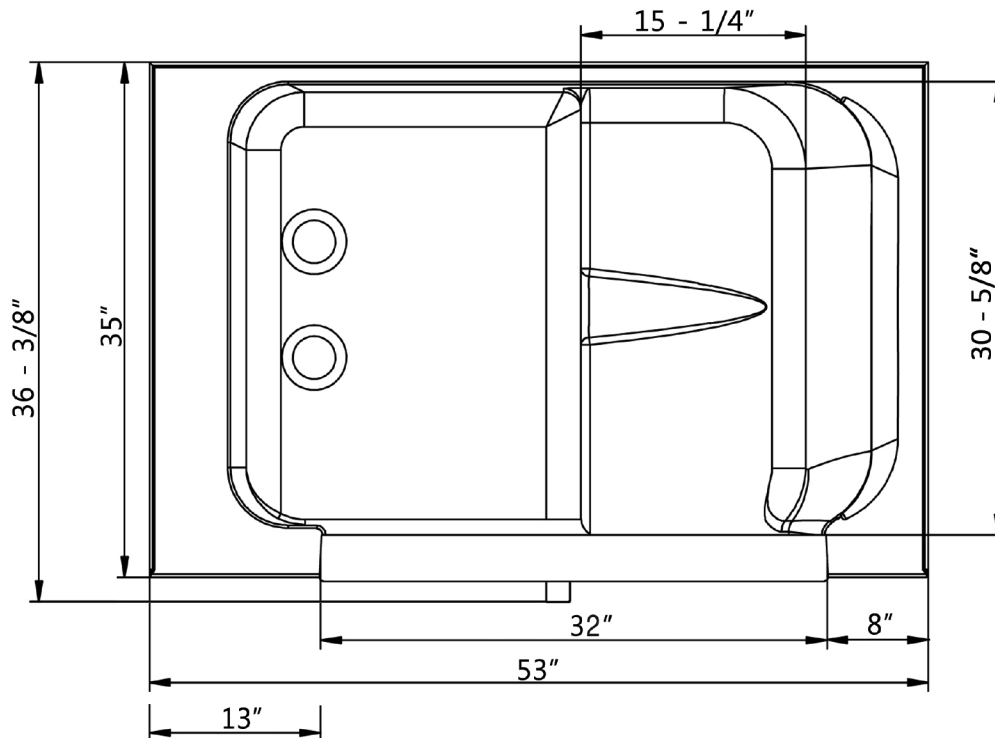
### Bariatric Tub



### LINE DRAWINGS



**Front View**



**Top View**

In an effort to continually improve our product, specifications and configurations are subject to change without notice.

Before ordering or installing, consider future access to essential equipment.