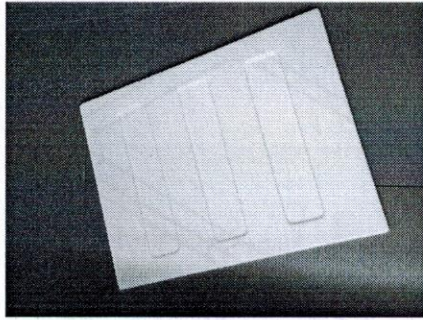

Walk-In Bathtub End Panel Installation Instructions

End Panel

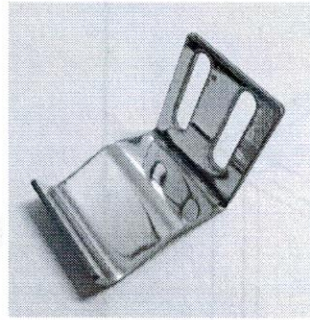
IMPORTANT: Read this manual before installing this product. There is important product safety information in this manual, so please be sure to read it thoroughly.

Note: Some of the parts shown may not be required for installation.

Parts



End Panel



Bracket



Magnet



Long Bolt



Short Bolt



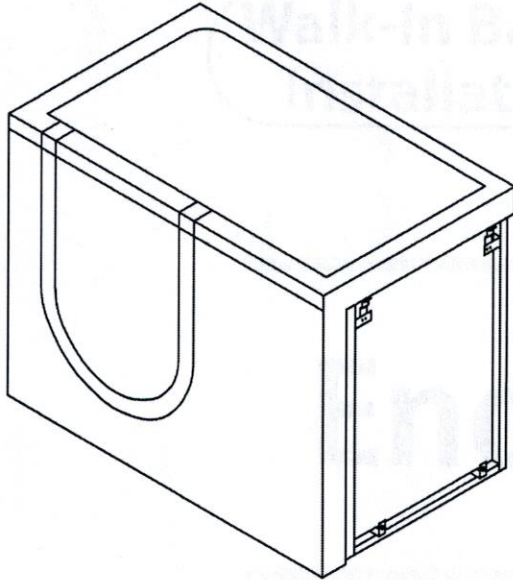
Washer



Nut

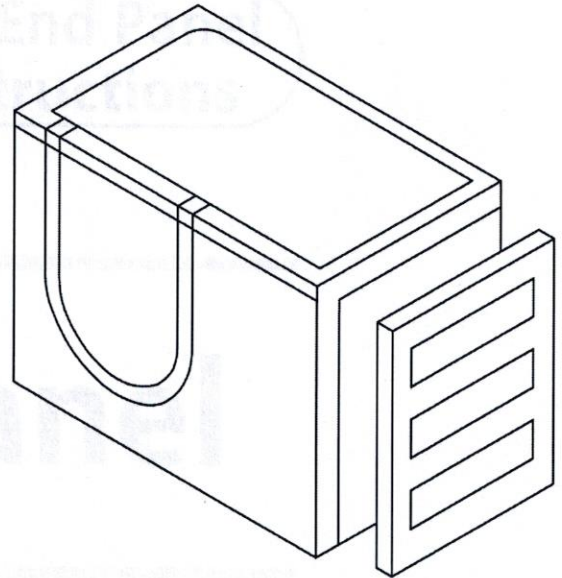
Note: Some of the parts shown may not be required for installation.

1



- Adjust upper bracket location so end panel rests tightly against top tub and then bolt bracket to frame.
- Use the short bolt and nut to install magnet onto bottom of tub frame. To ensure the magnet makes contact with end panel adjust outwards as needed with washers provided.

2



- Slide the end panel onto the end of bathtub.

3